

# LED FLASHING VISUAL SIGNAL LIGHT - Hazardous Location



ETL Listed in compliance with UL 1598 and UL 844 for use in Class I, Div 2 Hazardous Locations



## FEATURES / BENEFITS

- Suitable for all Class I, Div. 2, Groups A, B, C, D hazardous environments, T4 rated
- Inherent safety capability; low electrical/thermal energy and high light output
- Unique optically designed lens to enhance LED operation and provide 360° visibility
- Weather/corrosion resistant lamp assembly and housing
- Self-contained wiring compartment eliminates additional boxes
- Strobe mode (0.1 seconds on, 0.9 seconds off, 60 fpm)
- Available as a single or dual unit
- Resistant to shock and vibration
- Threaded 1" and 3/4" bottom hub for mounting
- Lasts years longer than existing Xenon units
- 5 year warranty
- IP65 / IP66 / NEMA 4X rated

## APPLICATION

The Visual Signal Light is an LED based Class I Division 2 certified fixture. Used for visual indication in hazardous environments, these fixtures provide a valuable solution to the petrochemical industry as well as other facilities in demanding and dangerous environments.

## OPERATING CONDITIONS

Temperatures ranging from -40° F to +131° F (-40° C to +55° C). It will withstand wind in excess of 150 mph (240 kph), salt fog.

## MATERIALS / FINISH

- Cast Aluminum housing
- Stainless steel hardware
- Electrostatically applied powdercoat of aviation orange paint

## ORDERING INFORMATION

<i>Single Units</i>	
PART NUMBER	COLOR
FLS-2R0X-001	Red
FLS-2G0X-001	Green
FLS-2Y0X-001	Yellow (Amber)
FLS-2B0X-001	Blue
FLS-2W0X-001	White

Note: X indicates voltage input (See Voltage Chart)

<i>Dual Units</i>	
PART NUMBER	COLOR
FLS-2R0X-002	Red
FLS-2G0X-002	Green
FLS-2Y0X-002	Yellow (Amber)
FLS-2B0X-002	Blue
FLS-2W0X-002	White

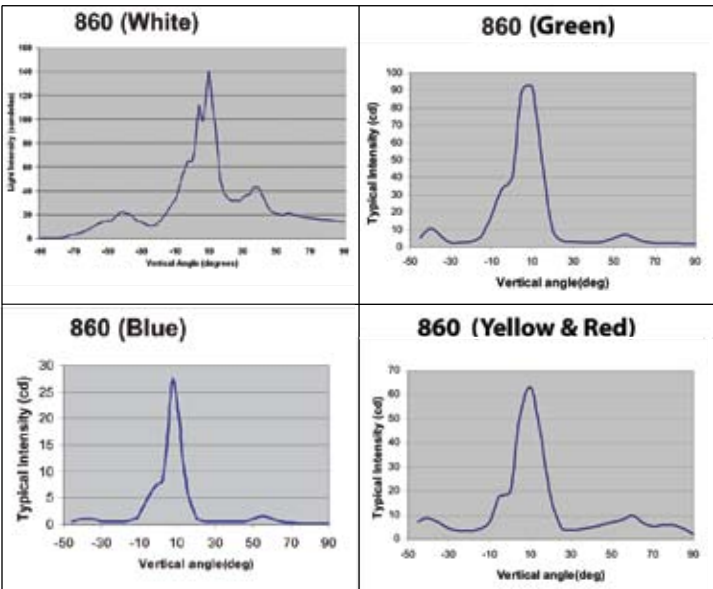
Note: X indicates voltage input (See Voltage Chart)

<i>Input Voltage Chart</i>	
X = 1	120 VAC
X = 2	240 VAC
X = 3	12-48 VDC

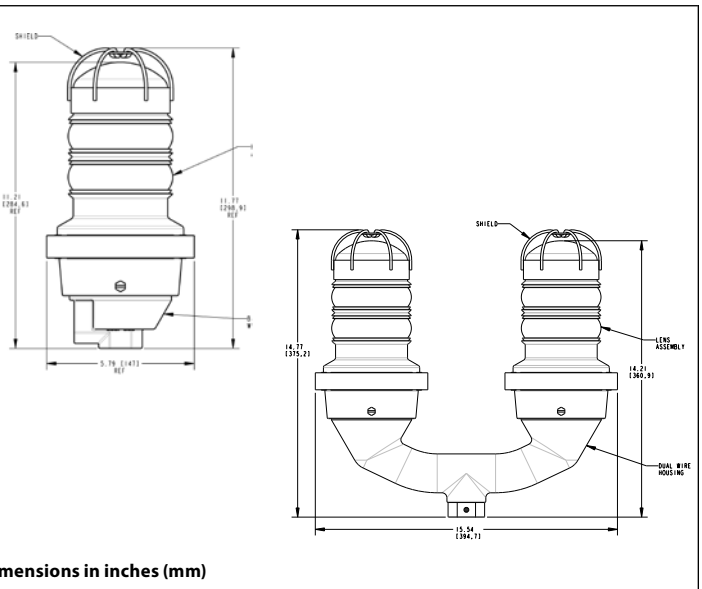
<i>Replacement Light Assemblies</i>	
PART NUMBER	COLOR
FLS-2R0X	Single, Red
FLS-2G0X	Single, Green
FLS-2Y0X	Single, Yellow (Amber)
FLS-2B0X	Single, Blue
FLS-2W0X	Single, White

Note: X indicates voltage input (See Voltage Chart)

**PHOTOMETRIC DATA**



**MECHANICAL DIMENSIONS**



**WEIGHTS & MEASUREMENTS**

MODEL	SHIPPING WEIGHT	CONTAINER DIMENSIONS
Single Unit	7.14 lbs	16" x 9" x 8"
Dual Unit	16.06 lbs	22" x 17" x 9"

**ELECTRICAL SPECIFICATIONS**

	OPERATING VOLTAGE (50-60 HZ)			INPUT POWER (DURING ON-TIME)		NOMINAL INPUT VA (DURING ON-TIME, 60HZ INPUT)	
	MIN	NOM	MAX				
120 VAC Units	96	120	132	10*	18*	33	60
240 VAC Units	192	240	264	13*	19*	72	106
12-48 VDC Units	10	--	53	10	25	--	--

\* 60 HZ input